

SAUNDERS®

Parts List

U1417 AND UA1417 EASELS

(Cat. No. 135-021 and Cat. No. 135-022)

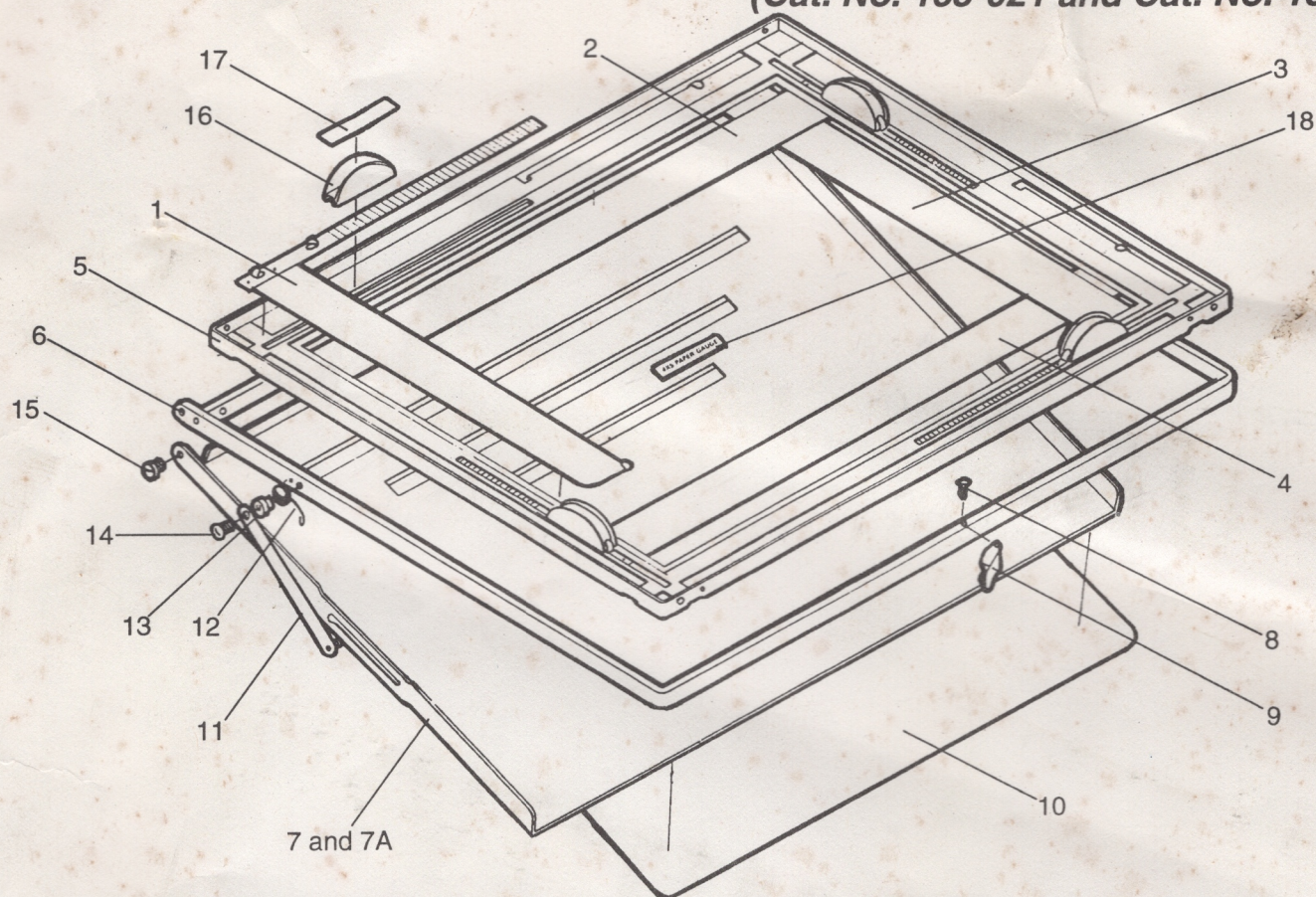


Diagram Number	Part Number	Description	List Price
1	901-117-10AS	Left blade assembly	17.95
2	901-118-10AS	Upper blade assembly	17.95
3	901-119-10AS	Right Blade assembly	17.95
4	901-120-10AS	Lower blade assembly	17.95
5	100-103-10CA	Blade carrier only	22.95
6	100-102-10FR	Outer frame only	24.95
7	100-105-10BA	Base (U1417)	55.95
7A	102-101-10BA	Base (UA1417)	70.95
8	9TSF-440-04B	Screw for front catch	.50
9	100-111-10CH	Front catch	2.95
10	100-104-10BP	Base pad	5.95
11	100-106-10BR	Stay hinge bar	3.95
12	100-113-10HG	Stay hinge spring	1.95
13	100-114-10HG	Stay hinge collar	1.95
14	100-101-10SR	Stay hinge screw	.50
15	9OTS-632-06C	Frame hinge screw	1.95
16	100-110-10BB	Blade actuator	1.95
17	100-112-10SG	Actuator spring	.50
18		Paper gauge	1.95
Complete Assembly			
	135-899	Masking Frame Assembly	89.95

FOR ORDERING INFORMATION, PLEASE CALL OR WRITE TO:

The Saunders Group

21 Jet View Drive • Rochester, NY 14624-4996 • (716) 328-7800 • Fax: (716) 328-5078